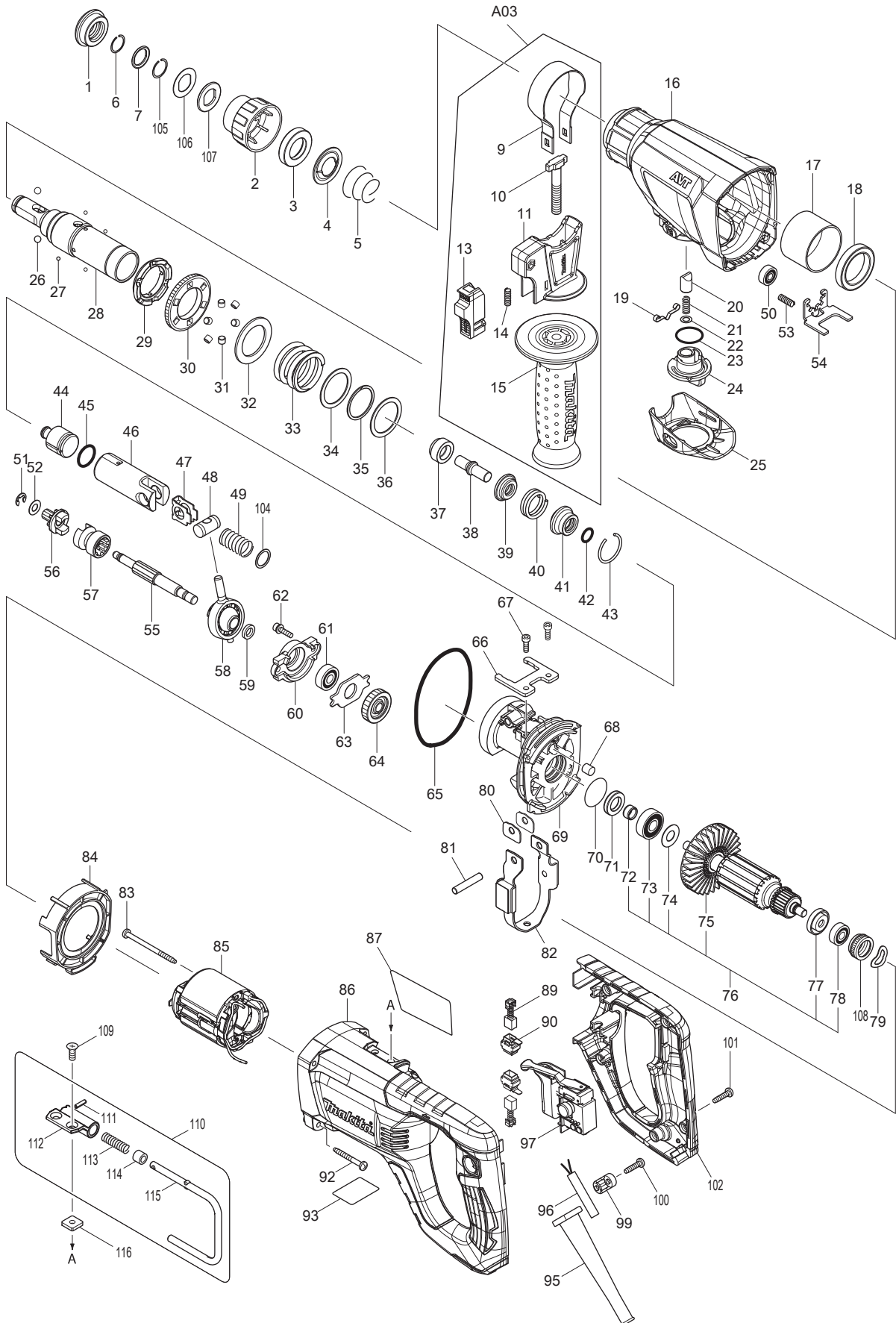




12 - 2013

HR2621

SDS-PLUS 1" ROTARY HAMMER V.S.



Item No	Type	Part No	Description	Qty	Unit
1		286288-8	CAP 35	1	PC.
2		451533-2	CHUCK COVER	1	PC.
3		325813-1	RING 21	1	PC.
4		346177-0	GUIDE WASHER	1	PC.
5		233916-6	CONICAL COMP. SPRING 21-29	1	PC.
6		233989-9	RING SPRING 14	1	PC.
7		346221-3	WASHER 16	1	PC.
9		346181-9	GRIP SPRING 50	1	PC.
10		266349-0	SQUARE BOLT M8X50	1	PC.
11		451539-0	GRIP BASE	1	PC.
13		141765-6	LOCK BUTTON COMPLETE	1	PC.
14		233360-7	COMPRESSION SPRING 4	1	PC.
15		154935-8	GRIP 36 COMPLETE	1	PC.
16		140423-1	GEAR HOUSING COMPLETE	1	PC.
	INC.	213636-8	OIL SEAL 25	1	PC.
17		331890-3	CUP SLEEVE	1	PC.
18		211294-4	BALL BEARING 6806LLU	1	PC.
19		232152-1	LEAF SPRING	1	PC.
20	2	326850-8	* PUSH CORN	1	PC.
21		234147-0	COMPRESSION SPRING 5	1	PC.
22		253308-3	THIN WASHER 6	1	PC.
23		213381-5	O RING 21	1	PC.
24		451529-3	CHANGE LEVER A	1	PC.
25		451530-8	CHANGE LEVER COVER A	1	PC.
26		216022-2	STEEL BALL 7.0	2	PC.
27		216019-1	STEEL BALL 3	4	PC.
28		140265-3	TOOL HOLDER COMPLETE	1	PC.
29	1	313149-0	* DRIVING FLANGE	1	PC.
	2	332139-4	* DRIVING FLANGE	1	PC.
30	1	227232-6	* SPUR GEAR 51	1	PC.
	2	227360-7	* SPUR GEAR 51	1	PC.
31		268226-2	* PIN 6 - N/A	6	PC.
32		267414-8	* FLAT WASHER 30 - N/A	1	PC.
33		234148-8	COMPRESSION SPRING 31	1	PC.
34		267153-0	FLAT WASHER 30	1	PC.
35		257932-4	SPIRO LOCK WASHER 30	1	PC.
36		267153-0	FLAT WASHER 30	1	PC.
37		325783-4	SLEEVE 9B	1	PC.
38		325789-2	IMPACT BOLT A	1	PC.
39		325792-3	WASHER 10	1	PC.
40		234149-6	COMPRESSION SPRING 20	1	PC.
41		325793-1	O-RING CASE B	1	PC.
42		213073-6	O RING 9	1	PC.
43		233979-2	RING SPRING 28	1	PC.
44		325784-2	STRIKER	1	PC.
45		213258-4	O RING 17.5	1	PC.
46		310345-1	PISTON CYLINDER	1	PC.
47		346036-8	GUIDE PLATE	1	PC.
48		324215-8	PISTON JOINT	1	PC.
49		234098-7	COMPRESSION SPRING 14	1	PC.
50	1	211012-0	BALL BEARING 606ZZ	1	PC.
	2	210028-2	BALL BEARING 606ZZ	1	PC.
51		257336-0	STOP RING EXT U-6	1	PC.
52		253186-1	FLAT WASHER 7	1	PC.
53		233360-7	COMPRESSION SPRING 4	1	PC.
54		346176-2	LOCK PLATE	1	PC.
55		325786-8	CAM SHAFT	1	PC.
56		227231-8	SPUR GEAR 10	1	PC.

Item No	Type	Part No	Description	Qty	Unit
57	2	326849-3	* CLUTCH CAM A	1	PC.
58		219020-5	SWASH BEARING 10	1	PC.
59		267234-0	FLAT WASHER 8	1	PC.
60		310344-3	BEARING BOX	1	PC.
61		211032-4	BALL BEARING 608ZZ	1	PC.
62		266437-3	HEX. SOCKET HEAD BOLT M4X16	2	PC.
63		285735-6	BEARING RETAINER	1	PC.
64		227748-1	HELICAL GEAR 27	1	PC.
65		213728-3	O-RING 68	1	PC.
66		346222-1	PLATE	1	PC.
67		265353-6	HEX. SOCKET HEAD BOLT M4X12	2	PC.
68		443153-6	FELT	1	PC.
69	1	140267-9	INNER HOUSING COMPLETE	1	PC.
	2	141573-5	INNER HOUSING COMPLETE (Inc. Item No. 68)	1	PC.
70		213407-3	O RING 26	1	PC.
71		213678-2	OIL SEAL 12	1	PC.
72		262571-7	SLEEVE 8	1	PC.
73		211097-6	BALL BEARING 6000LLB	1	PC.
74		267213-8	FLAT WASHER 10	1	PC.
75		240092-9	FAN 64	1	PC.
76		515901-4	ARMATURE ASS'Y 115V	1	PC.
	INC.		Item. 72-75,77,78		
77		681636-0	INSULATION WASHER	1	PC.
78		211021-9	BALL BEARING 607LLB	1	PC.
79		267804-5	WAVE WASHER 15	1	PC.
80		346180-1	WEIGHT HOLDER GUIDE	2	PC.
81		256246-8	PIN 6	1	PC.
82		165593-5	COUNTER WEIGHT	1	PC.
83		266334-3	TAPPING SCREW 4X60	2	PC.
84		454979-1	BAFFLE PLATE	1	PC.
85		633711-8	FIELD 115V	1	PC.
86		454977-5	MOTOR HOUSING	1	PC.
87		815J18-6	NAME PLATE F/HR2621	1	PC.
89		195007-0	CARBON BRUSH CB-407, 2PCS/SET	1	SET
90		643936-6	BRUSH HOLDER	2	PC.
92		266351-3	TAPPING SCREW 4X35	4	PC.
93		815J19-4	HR2621 SERIAL NO. LABEL	1	PC.
95		682572-3	CORD GUARD 8	1	PC.
96		664895-1	CORD W/PLUG 2P-18-4.0M,SJ	1	PC.
97		650508-0	SWITCH TG813TLB-1	1	PC.
99		687123-7	STRAIN RELIEF	1	PC.
100		265995-6	TAPPING SCREW 4X18	2	PC.
101		265995-6	TAPPING SCREW 4X18	5	PC.
102		454978-3	HANDLE COVER	1	PC.
104		267447-3	FLAT WASHER 14	1	PC.
105		233992-0	RING SPRING 15	1	PC.
106		267437-6	FLAT WASHER 17	1	PC.
107		424364-2	RUBBER WASHER 16	1	PC.
108		421868-5	LABYRINTH RUBBER RING 19	1	PC.
109		912207-5	COUNTERSUNK HEAD SCREW M5X10	2	PC.
110		126406-5	HOOK ASS'Y	1	PC.
	INC.		Item. 111-115		

Item No	Type	Part No	Description	Qty	Unit
111		951057-3	SPRING PIN 3-12	1	PC.
112		313278-9	JOINT	1	PC.
113		233455-6	COMPRESSION SPRING 7	1	PC.
114		262561-0	SLEEVE 6	1	PC.
115		281218-4	HOOK	1	PC.
116		264002-2	SQUARE NUT M5	2	PC.
<u>ACCESSORIES</u>		- See Catalogue or visit www.makita.ca for more accessories -			
A01		142497-8	PLASTIC CARRYING CASE COMPLETE	1	PC.
	INC.	417724-5	LATCH	2	PC.
A02		331886-4	DEPTH GAUGE	1	PC.
A03		122878-2	GRIP ASSEMBLY	1	PC.
	INC.		Item. 9-11,13-15		
A04		122574-2	1/2" DRILL CHUCK ATTACHMENT, SDS-PLUS	1	PC.
A05		191686-2	SAFETY GOGGLE	1	PC.
A06		421342-3	DUST CUP 5	1	PC.
A07		421664-1	DUST CUP 9	1	PC.
A08		421755-8	WATERPROOF COVER	1	PC.
A09		765009-6	BLOW-OUT BULB 64	1	PC.
A10		196668-9	HAMMER SERVICE KIT	1	PC.
A11		195048-6	DUSTCUP SET	1	PC.
	INC.	213310-8	O RING 20	1	PC.
	INC.	424268-8	CAP 39	1	PC.
	INC.	424269-6	DUST CAP	1	PC.
	INC.	451541-3	BELLOWS	1	PC.
	INC.	451542-1	ATTACHMENT	1	PC.
	INC.	451543-9	JOINT	1	PC.
A12		194582-3	GRIP BASE SET	1	PC.
	INC.	122809-1	SPACER 20 ASSY	1	PC.
	INC.	419975-6	GRIP BASE 20	1	PC.
	INC.	921919-9	HEX BOLT M8X10	1	PC.

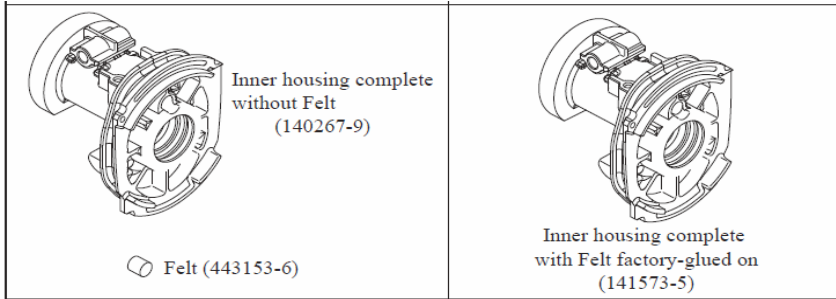
SERVICE CHANGES

1. Changes on Inner housing complete for repair

(TI#A4116)

Item No.	Description	Type 1	Type 2
69	Inner housing complete	140267-9	141573-5
68	Felt	443153-6	-----

Above parts are completely interchangeable as a set.

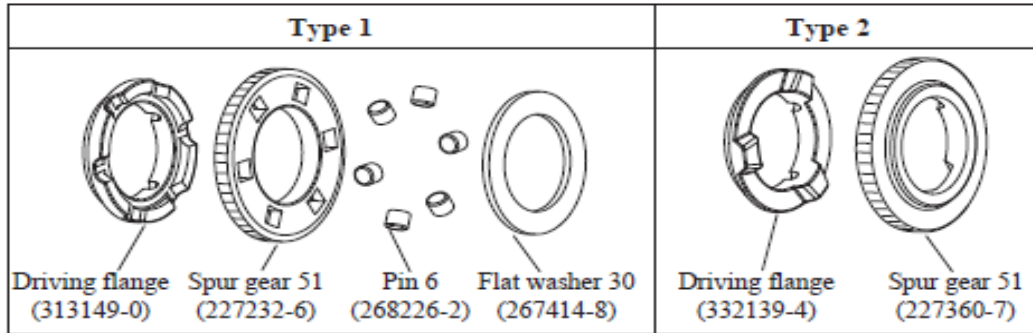


2. Changes on Spur gear 51 and Driving flange

Item No.	Description	Type 1	Type 2
30	Spur Gear 51	227232-6	227360-7
29	Driving Flange	313149-0	332139-4
32	Flat Washer 30	267414-8	-----
31	Pin 6	268226-2	-----

Above parts are completely interchangeable as a set.

From January 2015 production



3. Changes on Clutch Cam A and Push Corn

(TI#B4855)

Item No.	Description	Type 1	Type 2
20	Push Corn	325785-0	326850-8
57	Clutch Cam A	331814-9	326849-3

Above parts are completely interchangeable as a set.

